

Special purpose machines differently



If you need:

- Quick reaction
- Adherence to predictable deadlines
- Outstanding quality
- Competitive price

BDN Automotive provides comprehensive solutions to your problems whilst you are working on creating value, would that be custom designed precision parts, measuring systems or special purpose machines. Our portfolio covers various industries and includes the whole process of project management and development from the idea to the complete commissioned product, satisfying all of our clients' needs.

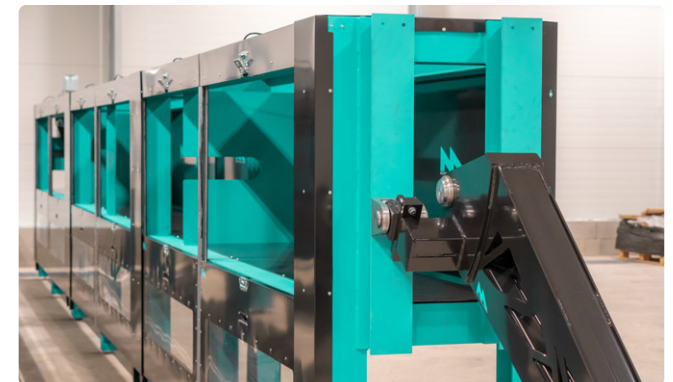
What is impossible for others, is a challenge for us.



About us

We are a team of honoured engineers with many years of experience who are developing cutting edge solutions for the automotive / motorsport industry. We use our expertise to bring this knowledge to design and develop custom parts and SPMs, where we apply agile techniques and state-of-the-art technologies from the motorsport sector that have not been used here before, to offer an excellent service for our clients.

Our main principle is to decrease the costs for our customers, which we are aiming to do by creating a product that is perfect from the beginning. To do this, we are using the most modern design and simulation software, and whilst the design process is more expensive, with the added value of the engineering work, it pays off during the manufacturing and usage.

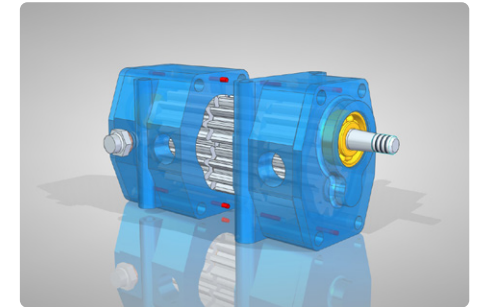
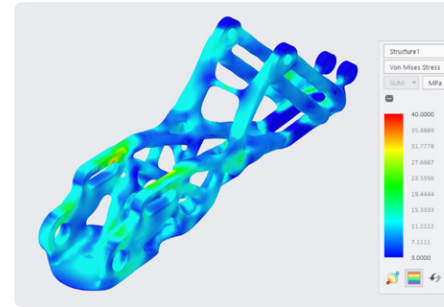
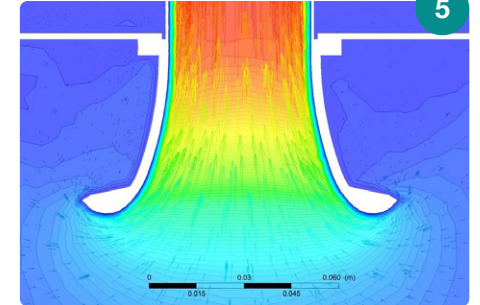
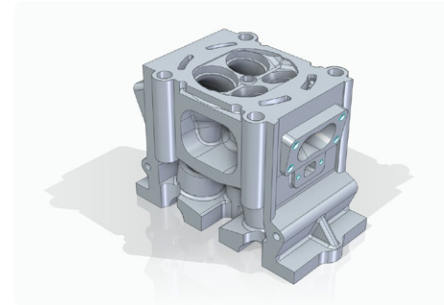
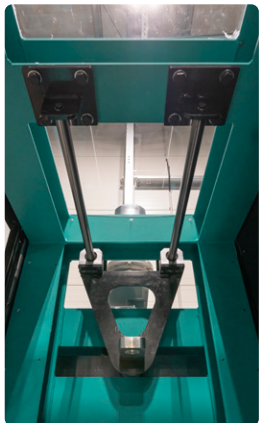




How we work

During the design process, we will make a 3D digital prototype, which as we consult with the client, we will optimise using static and dynamic simulations. Afterwards, depending on the project's needs, using generative design, we optimise the solidity and mass of the parts, then we create the functional prototype with 3D printing. After this, we start the manufacturing optimisation, where it is possible, we aspire to produce using conventional machines and standard off-the-shelf parts, in order to reduce costs.

At the end of the digital phase, the validation simulation results, the rendered photos, 3D models and drawings are given to the customers. In production, we exclusively work with partners that have ISO9001 or Higher certification, and after production, we pre-assemble the parts in our workshop. The on-site assembling and commissioning is done by our assembly team with a proven track record in international motorsport events.





BDN Automotive Kft.
3-5 Kereszt street,
Győr, 9025

T: +44 7367 196 589
E: info@bdn-automotive.com
W: www.bdn-automotive.com